

TABLE ASSEMBLY INSTRUCTIONS ATB1805

ATB1805 REV #1
4/09/2021

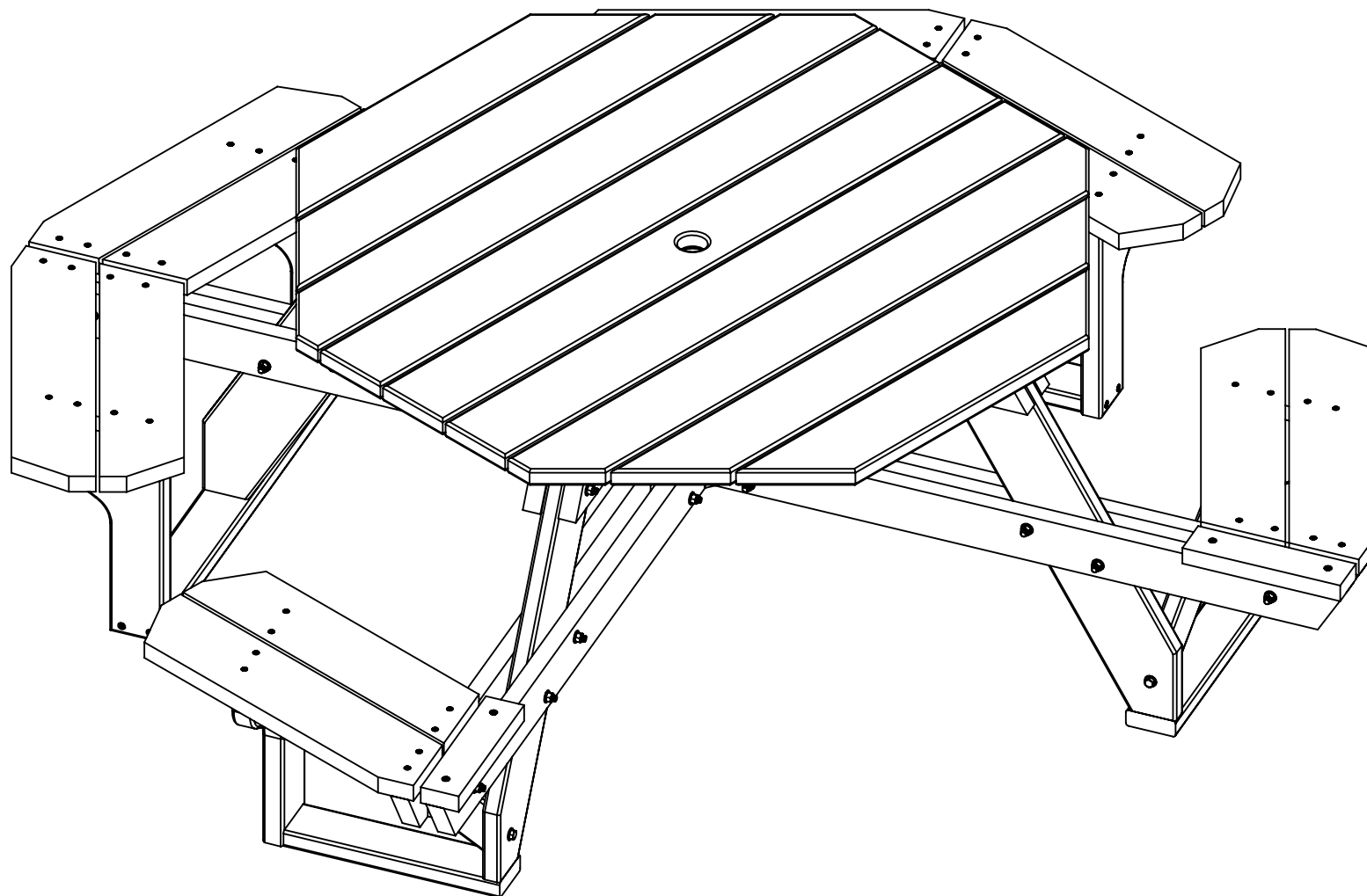


TABLE ASSEMBLY INSTRUCTIONS ATB1805

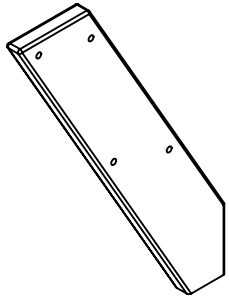
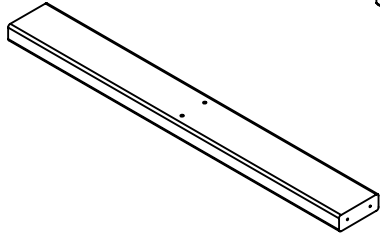


TABLE LEG
X4
ATB-P0086
ATB-P0109 w/ hole



STRETCHER
X2
ATB-P0164

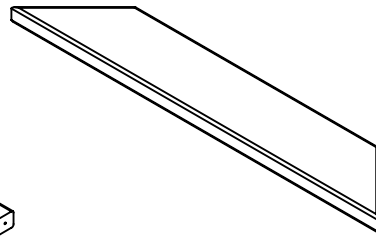
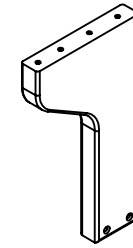


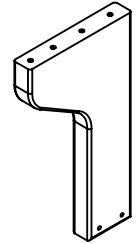
TABLE TOP ENDS
X2
ATB-P0175



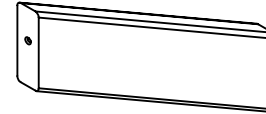
SPACER
X4
ATB-P0091



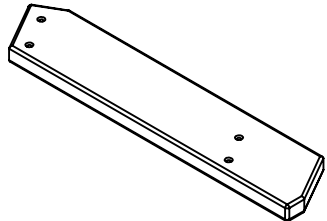
LEFT SEAT LEG
X3
ATB-P0089
ATB-P0110 w/ hole



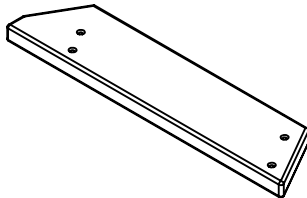
RIGHT SEAT LEG
X3
ATB-P0090
ATB-P0111 w/ hole



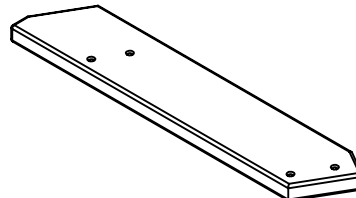
ANGLE CROSS BRACE
X2
ATB-P0184



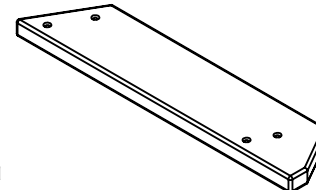
LEFT REAR SEAT
X3
ATB-P0177



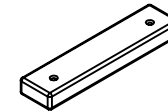
LEFT FRONT SEAT
X3
ATB-P0178



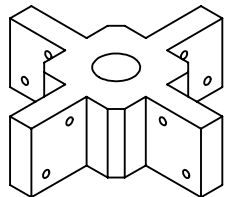
RIGHT REAR SEAT
X3
ATB-P0179



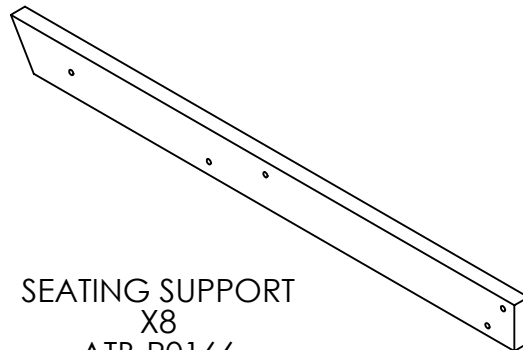
RIGHT FRONT SEAT
X3
ATB-P0180



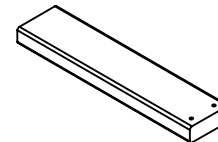
ADA SEAT CAP
X2
ATB-P0183



HUB CONNECTOR
X1
ATB-P0170



SEATING SUPPORT
X8
ATB-P0166



ADA STRETCHER
X2
ATB-P0176

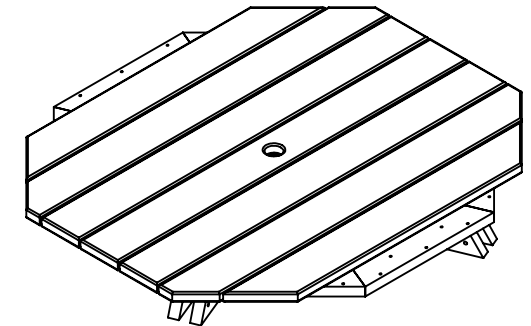
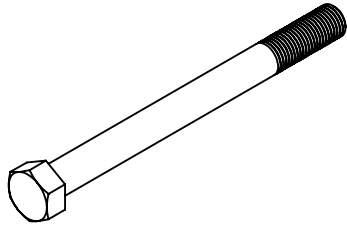


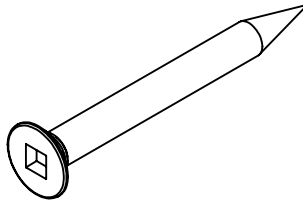
TABLE TOP ASSEMBLY
X1
ATB-A0066

**COMPONENTS
REQUIRED FOR
ASSEMBLY**

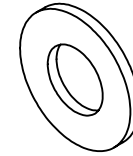
TABLE ASSEMBLY INSTRUCTIONS ATB1805



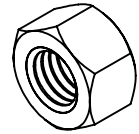
3/8" X 4.25" HEX HEAD BOLT
X28
F0001



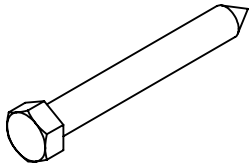
#12 X 2.5" DECK SCREW
X72
F0002



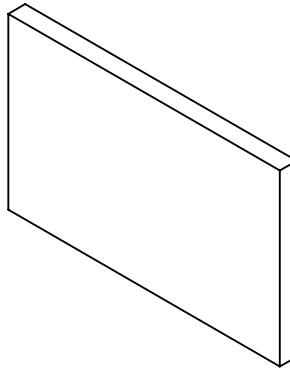
3/8" FLAT WASHER
X60
F0003



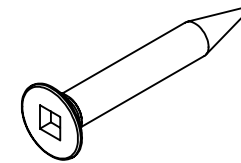
3/8" NYLOCK NUT
X28
F0004



3/8" X 3" HEX LAX SCREW
X4
F0006



1/4" SPACER
X2
ATB-P0182



#12 X 2" DECK SCREW
X14
F0005

REQUIRED TOOLS (NOT INCLUDED)

- 1 - 9/16" WRENCH
- 1 - 9/16" SOCKET
- 1 - SCREW GUN
- 1 - RUBBER MALLET
- 1 - #3 SQUARE DRIVE BIT

NOTE: IT IS IMPORTANT TO KEEP ALL BOLTS FINGER TIGHT DURING ASSEMBLY UNTIL ENTIRE TABLE IS ASSEMBLED

**HARDWARE &
TOOLS REQUIRED
FOR ASSEMBLY**

2/18

TABLE ASSEMBLY INSTRUCTIONS ATB1805

NOTE: MAKE SURE TO USE SEAT LEGS WITHOUT
CENTER HOLE (ATB-P0089 & ATB-P0090).

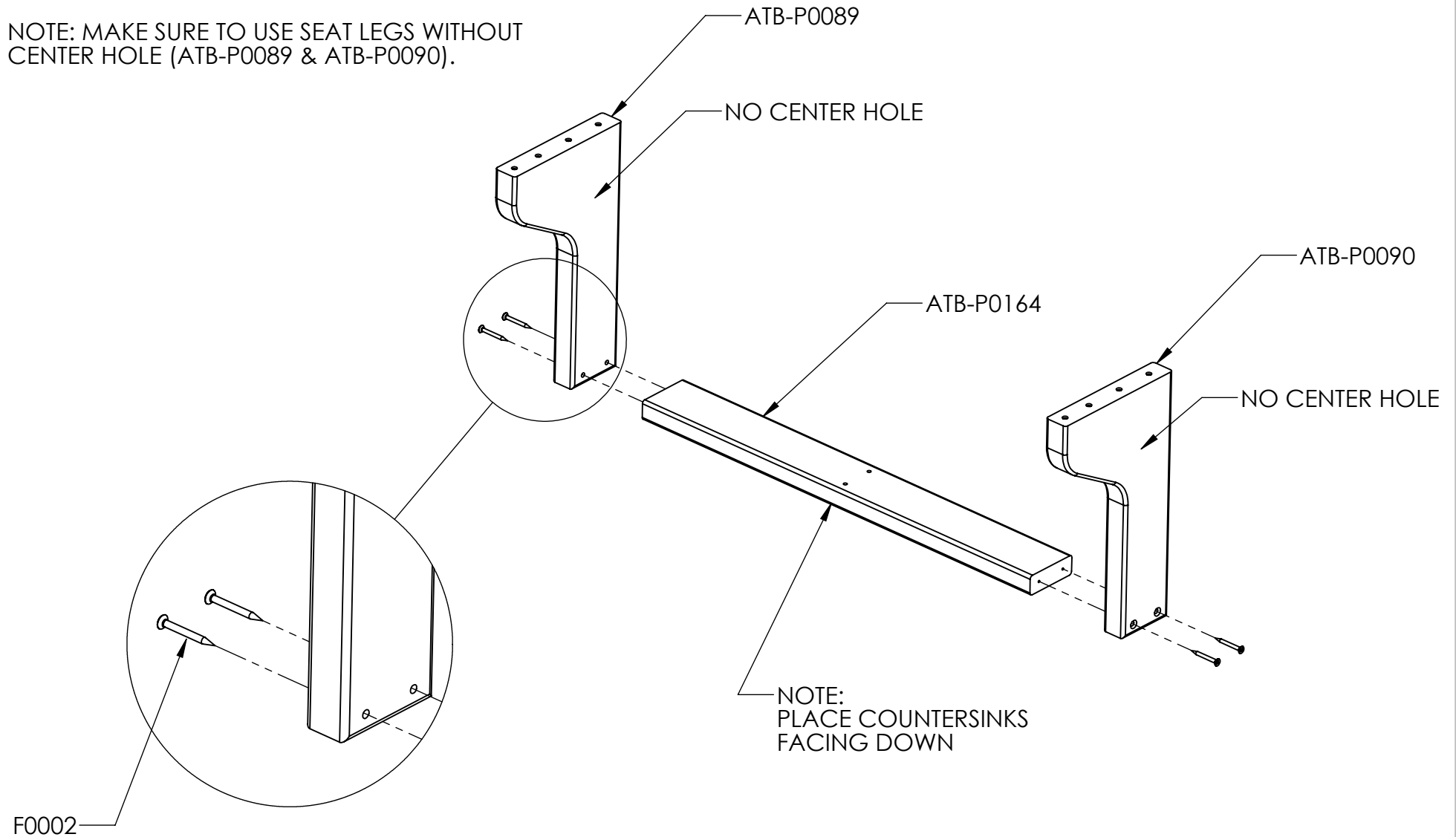
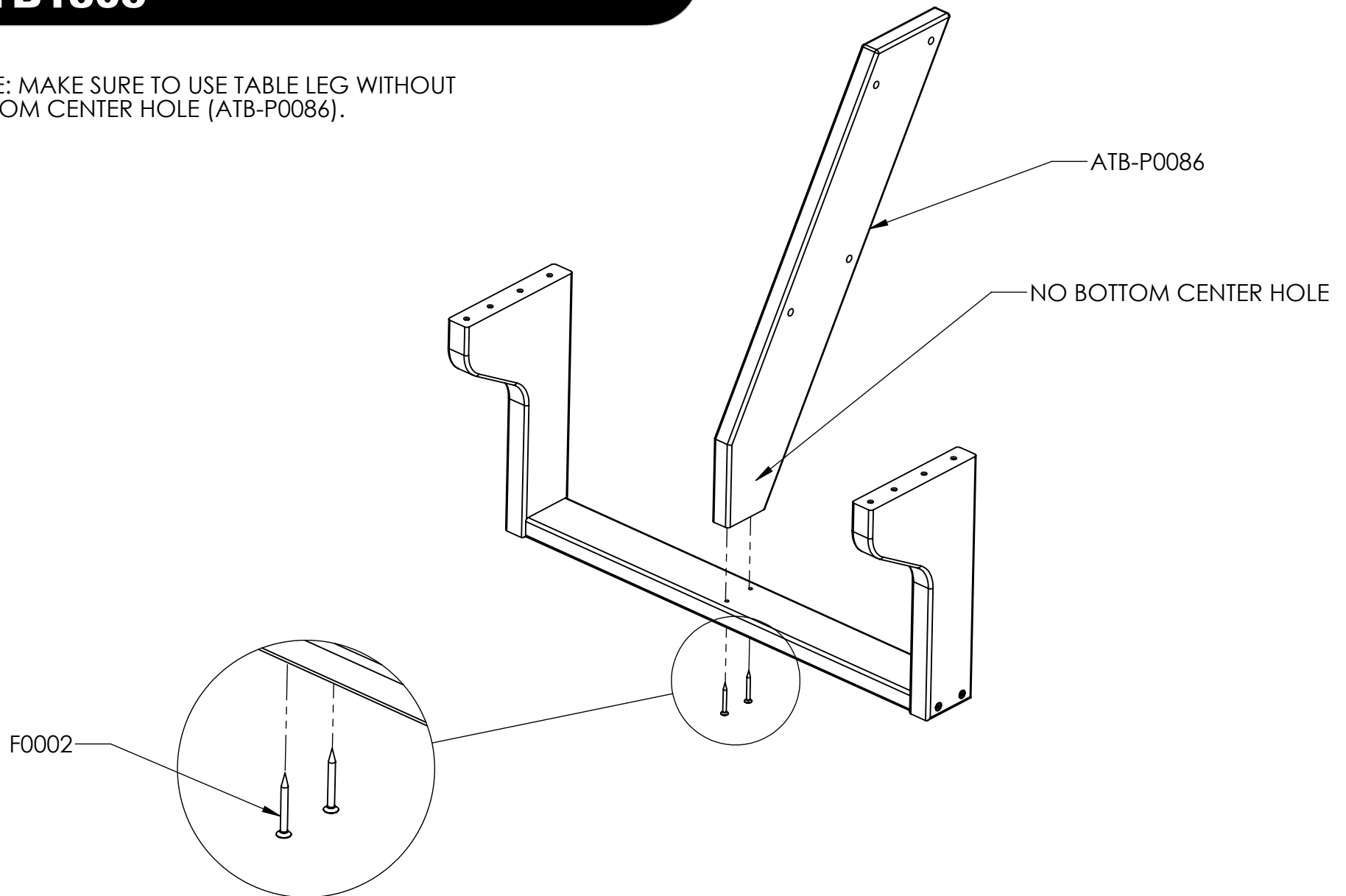


TABLE ASSEMBLY INSTRUCTIONS ATB1805

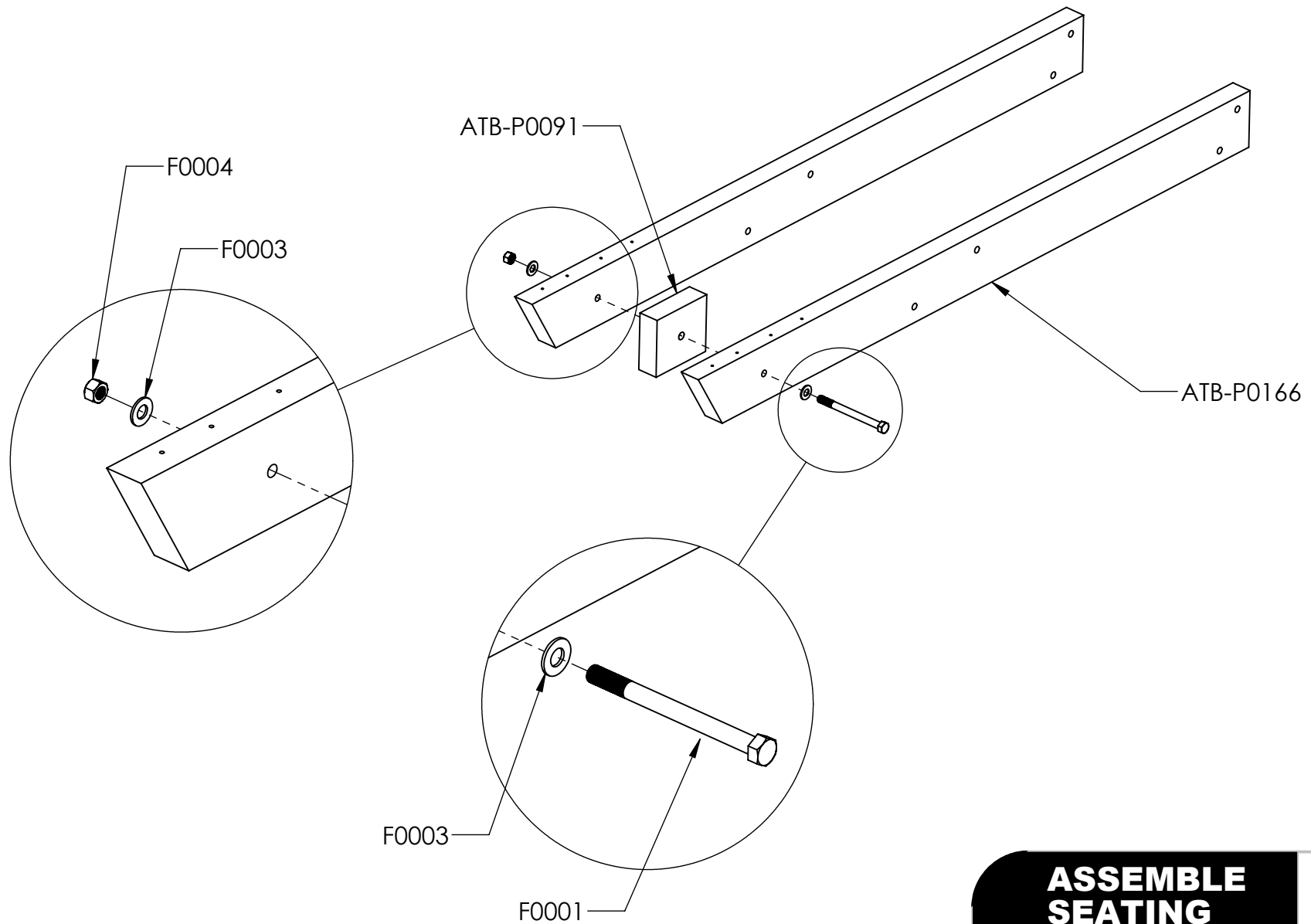
NOTE: MAKE SURE TO USE TABLE LEG WITHOUT
BOTTOM CENTER HOLE (ATB-P0086).



**ATTACH
TABLE LEG**

4/18

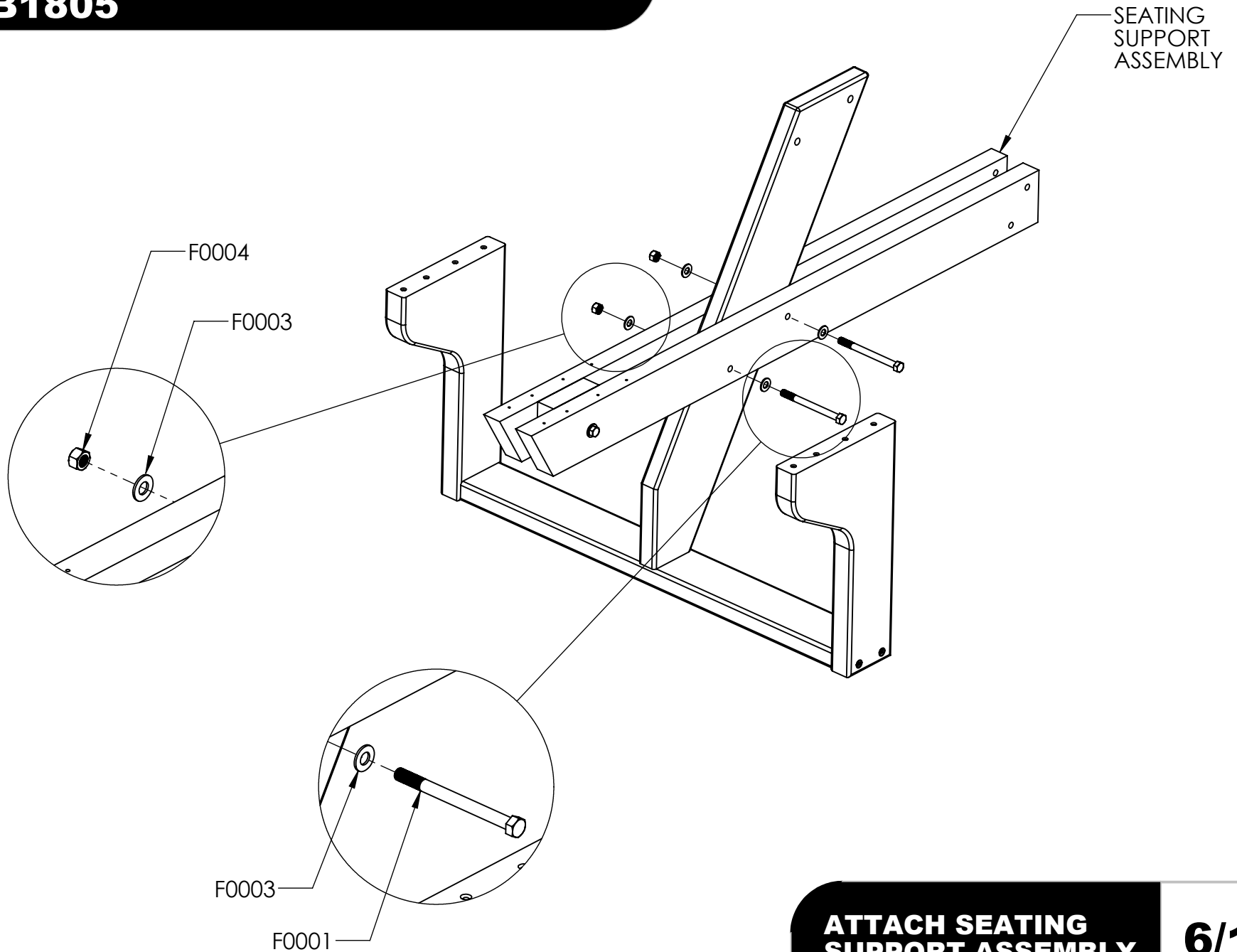
TABLE ASSEMBLY INSTRUCTIONS ATB1805



**ASSEMBLE
SEATING
SUPPORT**

5/18

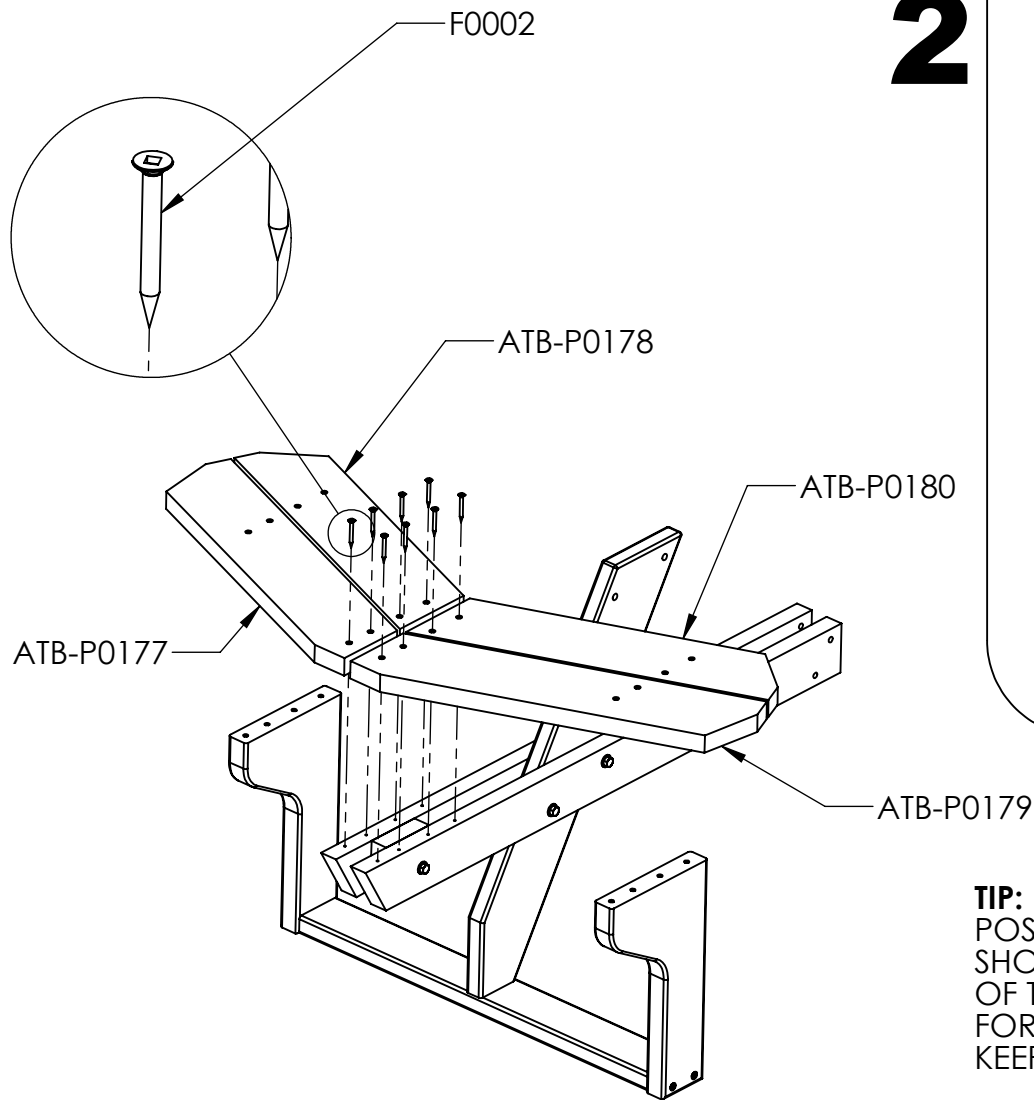
TABLE ASSEMBLY INSTRUCTIONS ATB1805



**ATTACH SEATING
SUPPORT ASSEMBLY**

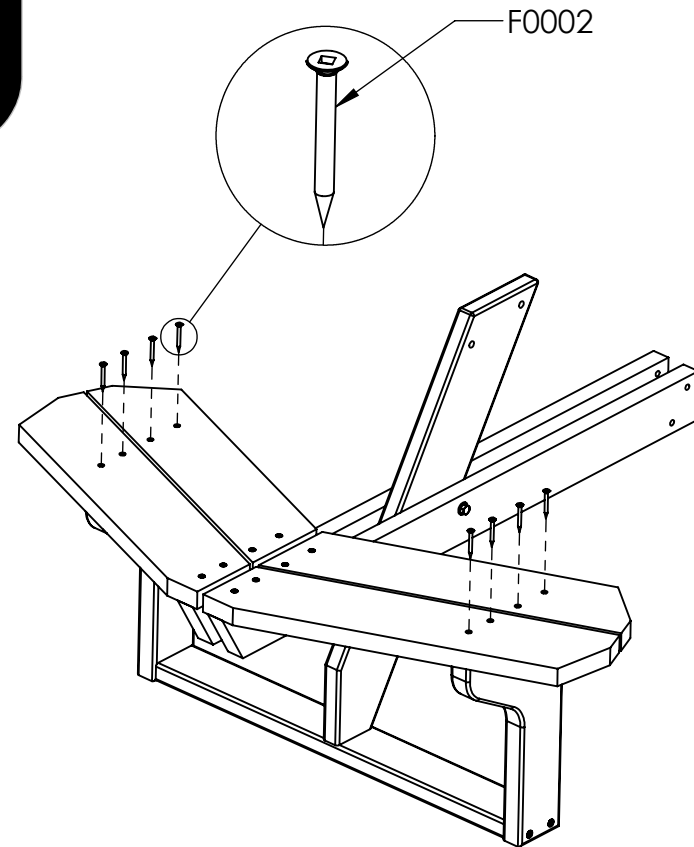
6/18

TABLE ASSEMBLY INSTRUCTIONS ATB1805



1

2



TIP: USE THE TWO 1/4 INCH SPACERS (ATB-P0182) TO HELP POSITION THE TWO HALVES OF EACH SEAT ASSEMBLY. THERE SHOULD BE 1/2 INCH BETWEEN THE LEFT AND RIGHT SECTIONS OF THE SEAT. SEE "SEAT DETAILS" ON THE SPECIFICATIONS PAGES FOR FURTHER DETAIL.
KEEP 1/4 INCH SPACERS FOR USE ON PAGE 13.

**ATTACH
SEATS**

7/18

TABLE ASSEMBLY INSTRUCTIONS ATB1805

NOTE: REPEAT STEPS FOUND ON PAGES 3-7
FOR REMAINING TABLE LEG ASSEMBLY.

NOTE: MAKE SURE TO USE SEAT LEG WITH
CENTER HOLE (ATB-P0110 & ATB-P0111).

NOTE:
PLACE COUNTERSINKS
FACING DOWN

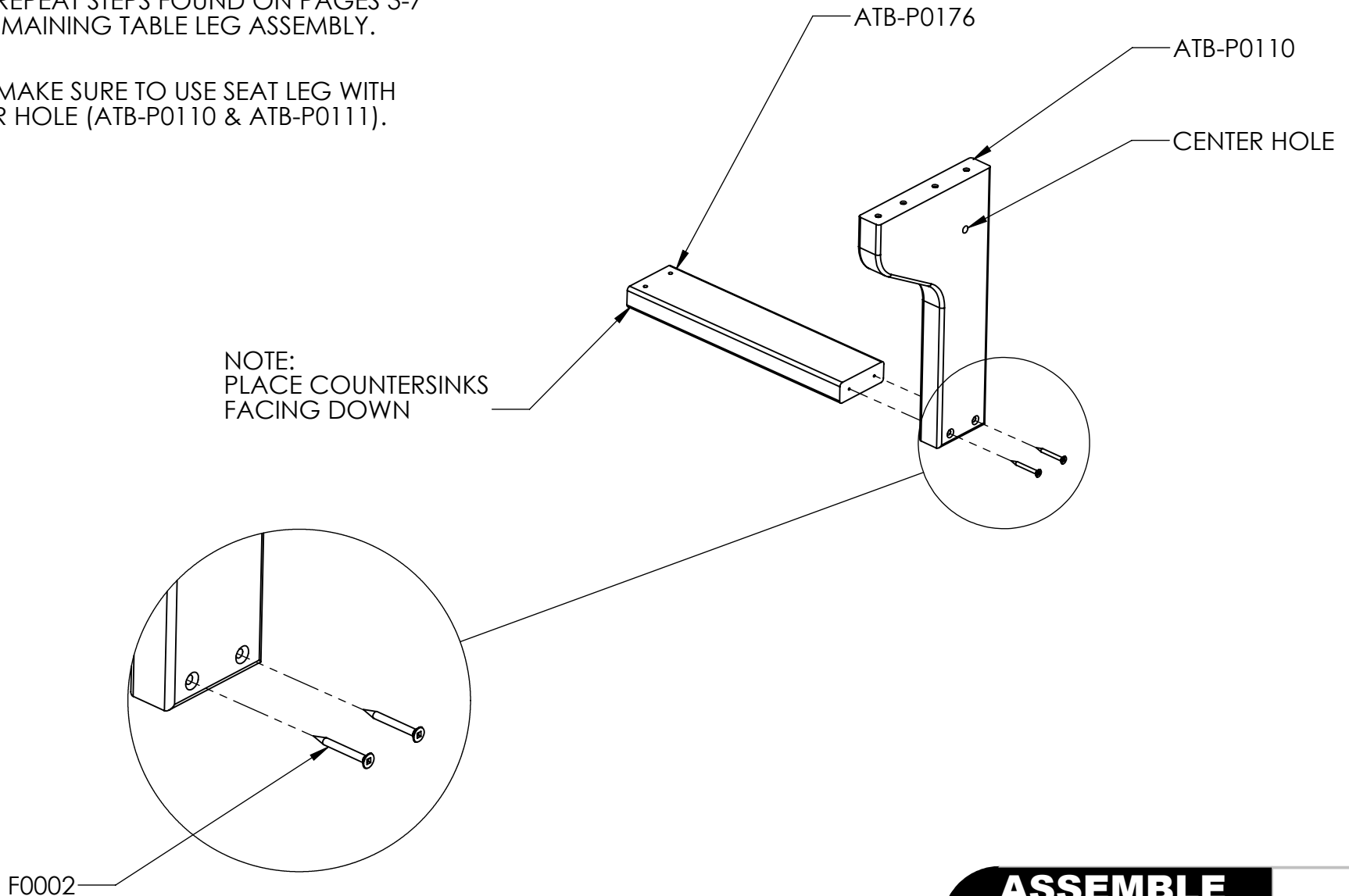
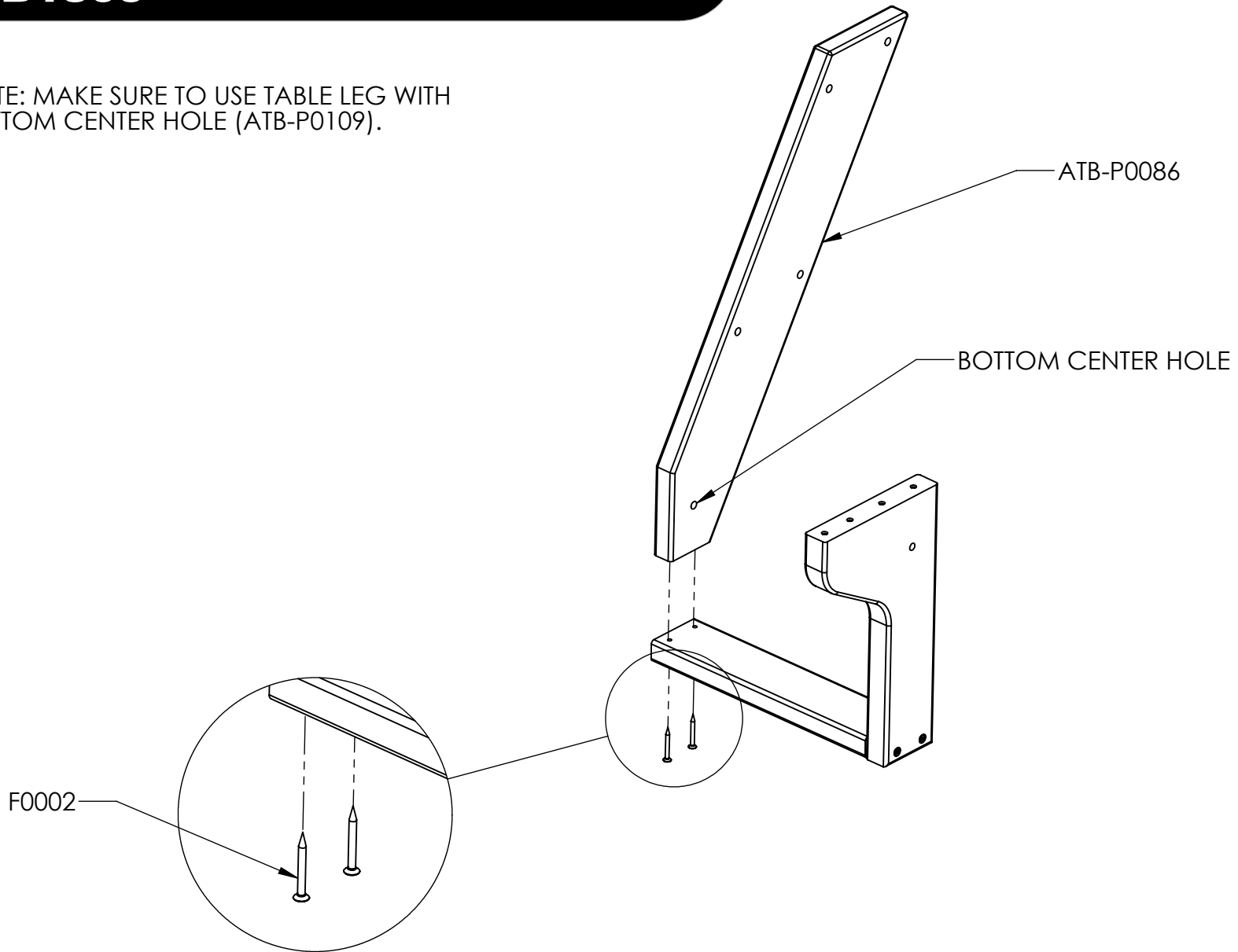


TABLE ASSEMBLY INSTRUCTIONS ATB1805

NOTE: MAKE SURE TO USE TABLE LEG WITH
BOTTOM CENTER HOLE (ATB-P0109).

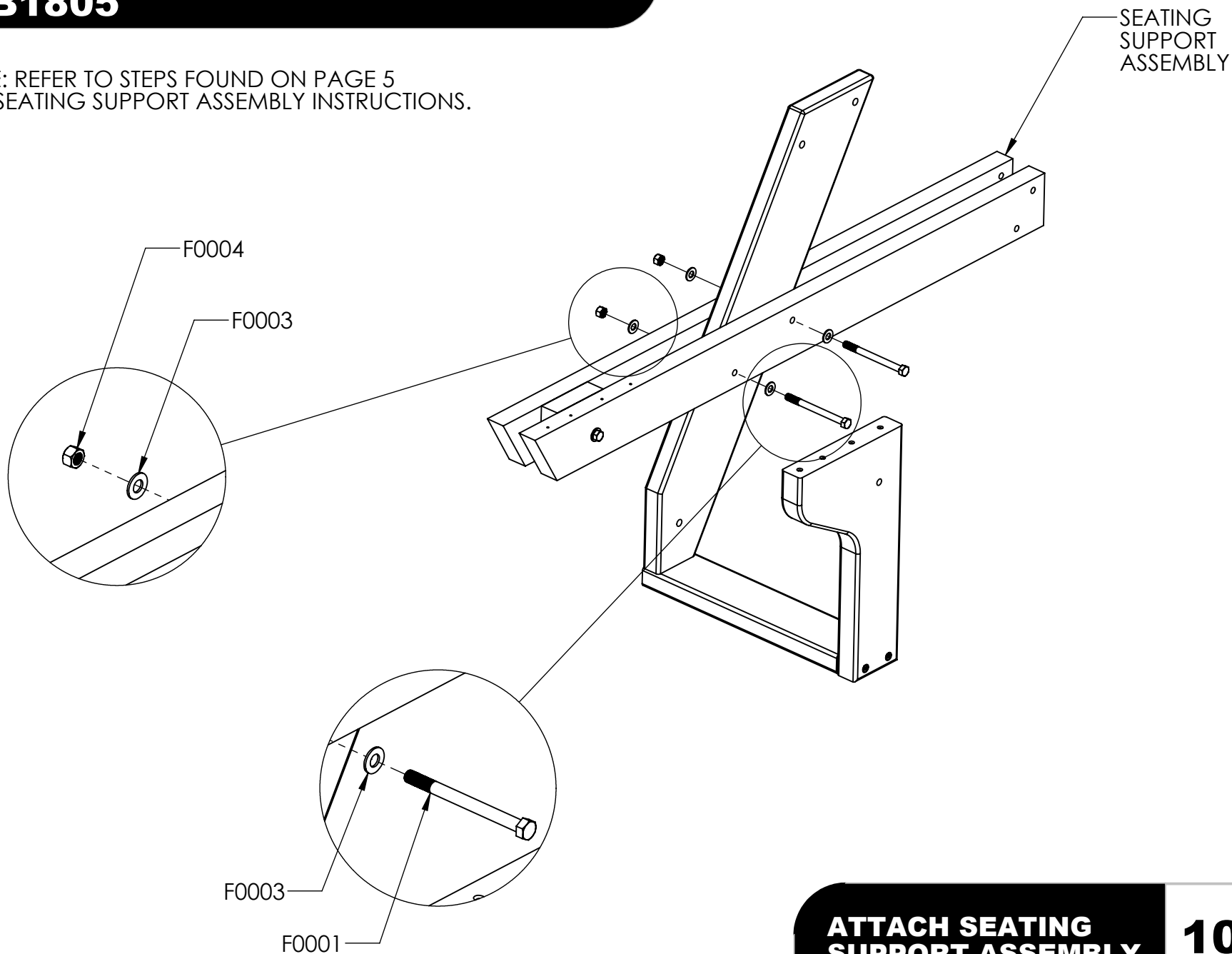


**ATTACH
TABLE LEG**

9/18

TABLE ASSEMBLY INSTRUCTIONS ATB1805

NOTE: REFER TO STEPS FOUND ON PAGE 5
FOR SEATING SUPPORT ASSEMBLY INSTRUCTIONS.

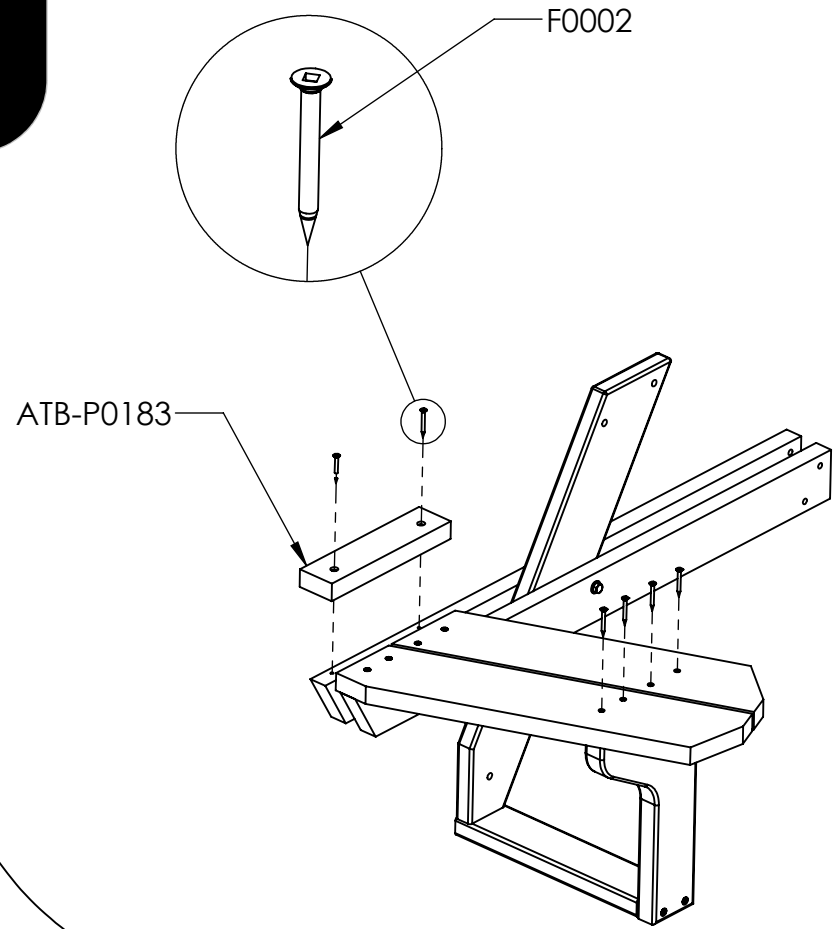
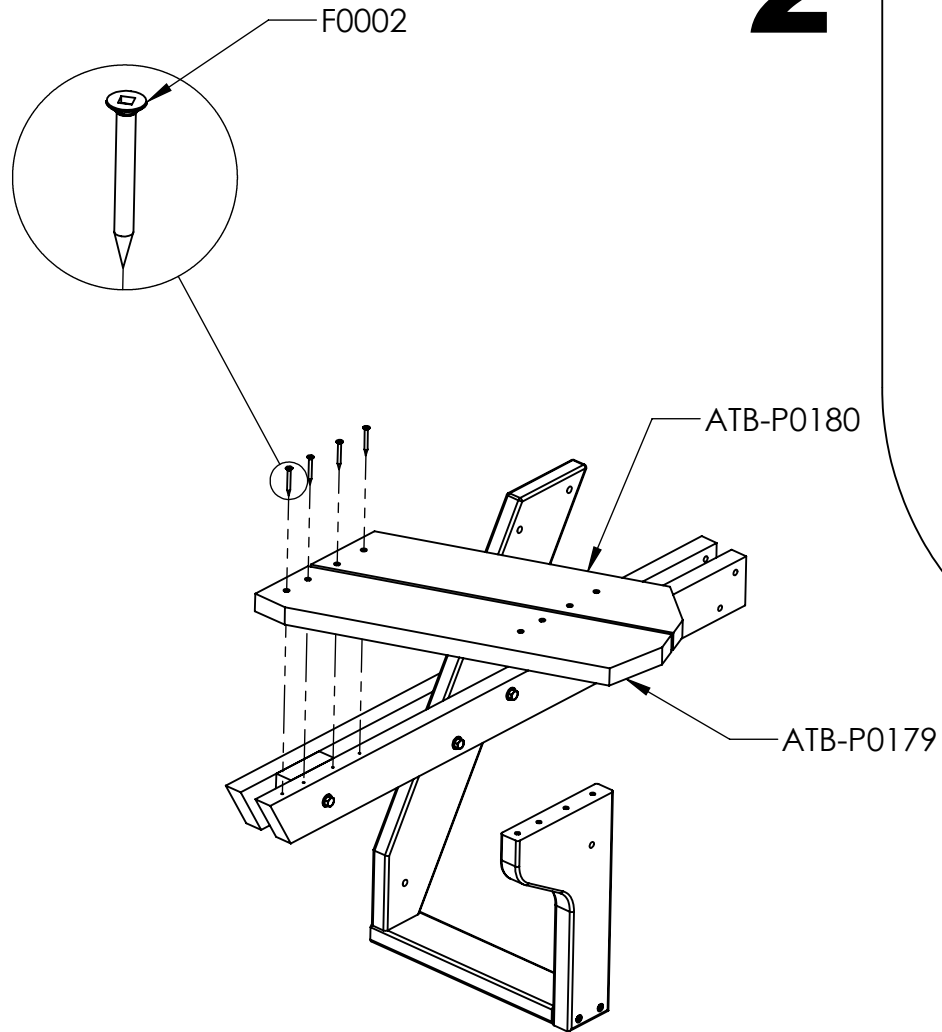


**ATTACH SEATING
SUPPORT ASSEMBLY**

10/18

TABLE ASSEMBLY INSTRUCTIONS ATB1805

2

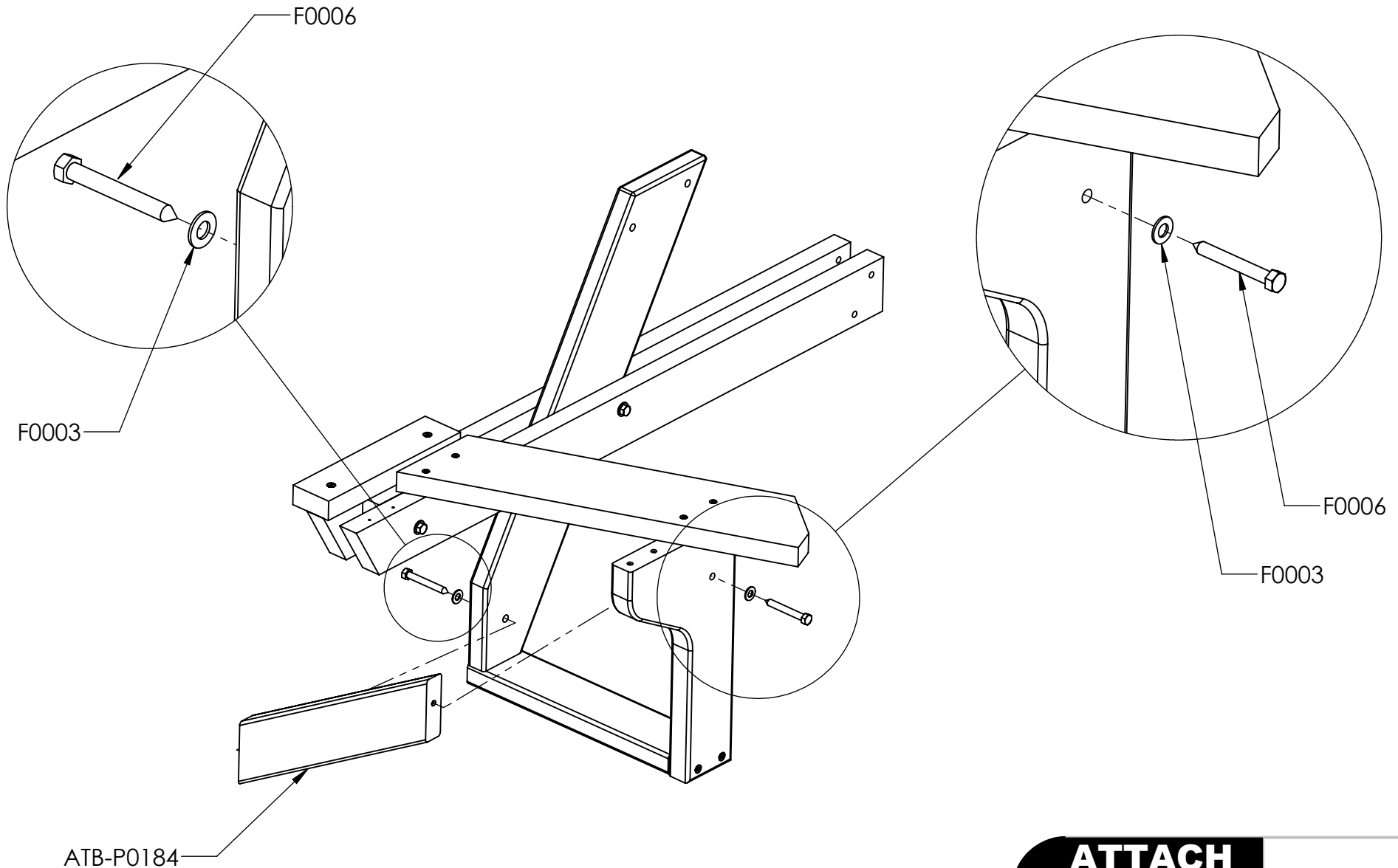


1

**ATTACH
SEATS AND
ADA CAP** **11/18**

TABLE ASSEMBLY INSTRUCTIONS ATB1805

NOTE: SOME COMPONENTS HAVE BEEN
REMOVED FOR CLARITY.



**ATTACH
ANGLE
BRACE**

12/18

TABLE ASSEMBLY INSTRUCTIONS ATB1805

NOTE: REPEAT STEPS FOUND ON PAGES 8-11
FOR REMAINING ADA TABLE LEG ASSEMBLY.

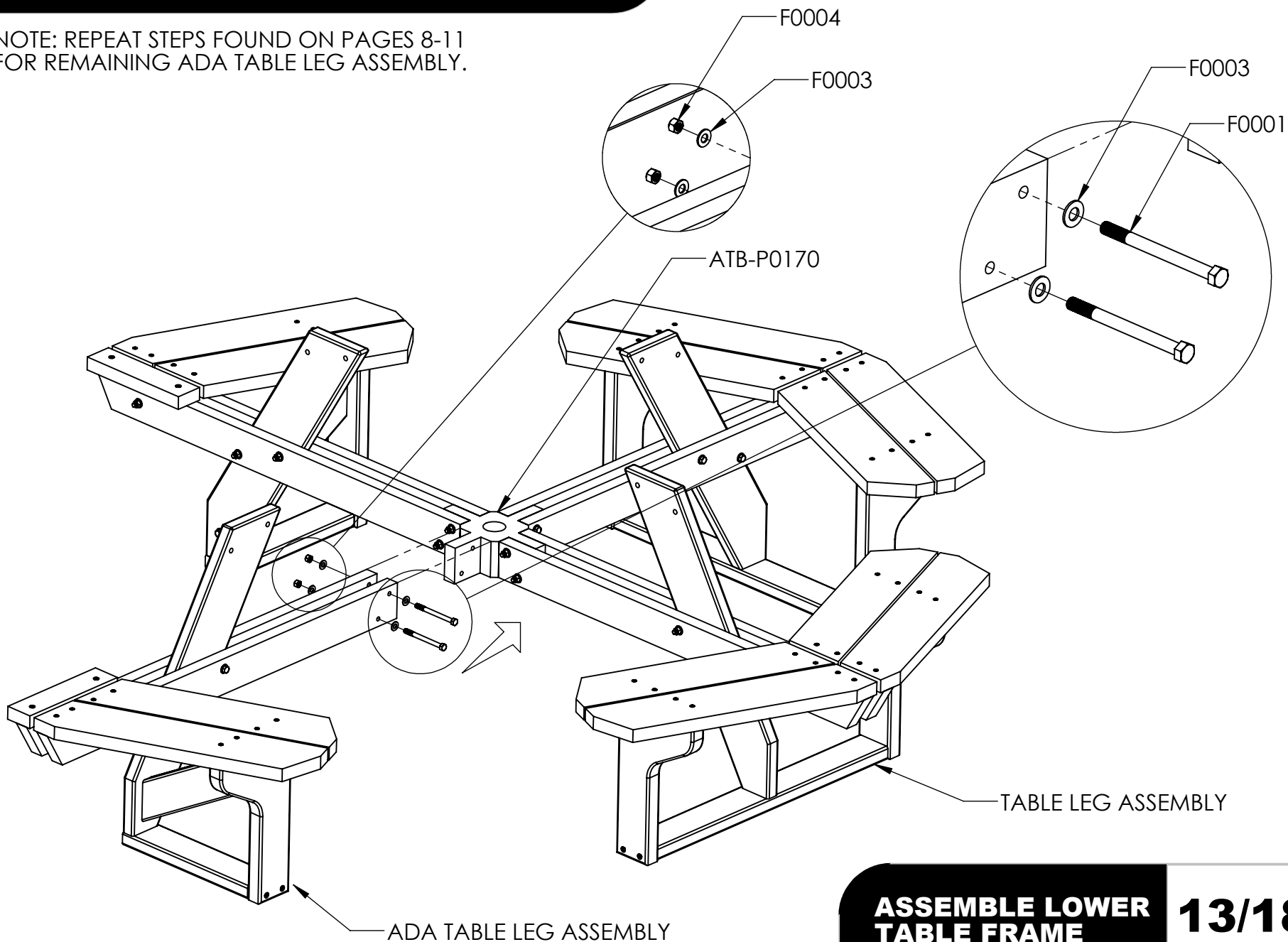
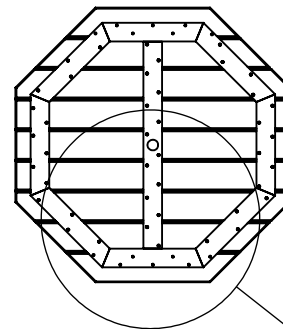
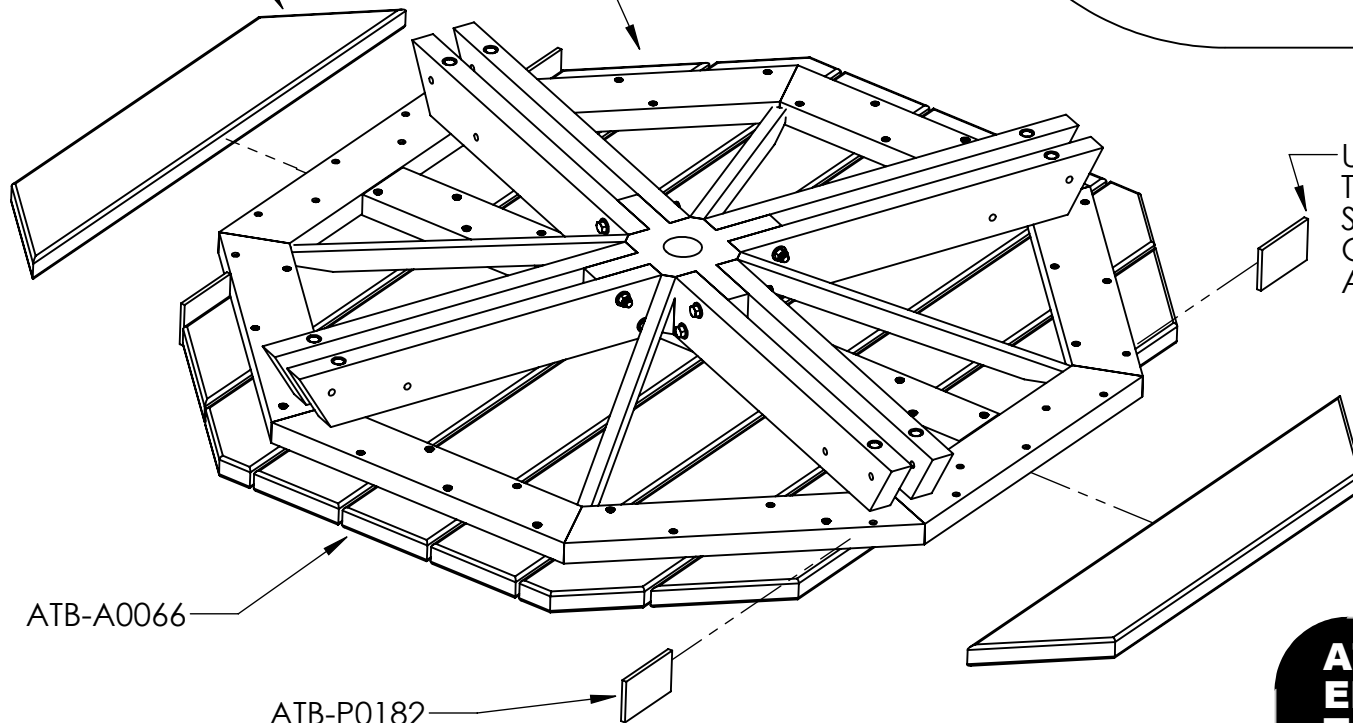


TABLE ASSEMBLY INSTRUCTIONS ATB1805

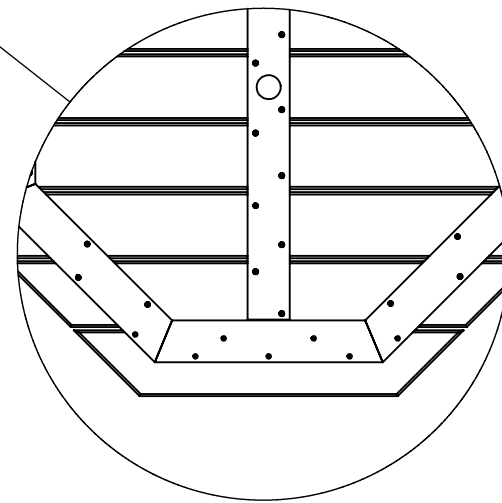
LAY TABLE TOP ASSEMBLY UPSIDE DOWN ON FLAT,
EVEN SURFACE.

**CAUTION: TABLE TOP IS HEAVY. TO PREVENT INJURY,
USE 2-3 PEOPLE FOR THIS STEP.**

ATB-P0175



DETAIL A - LINE UP ATB-P0175
SO THAT THE TABLE TOP
ASSEMBLY BECOMES A
PERFECT OCTAGON.



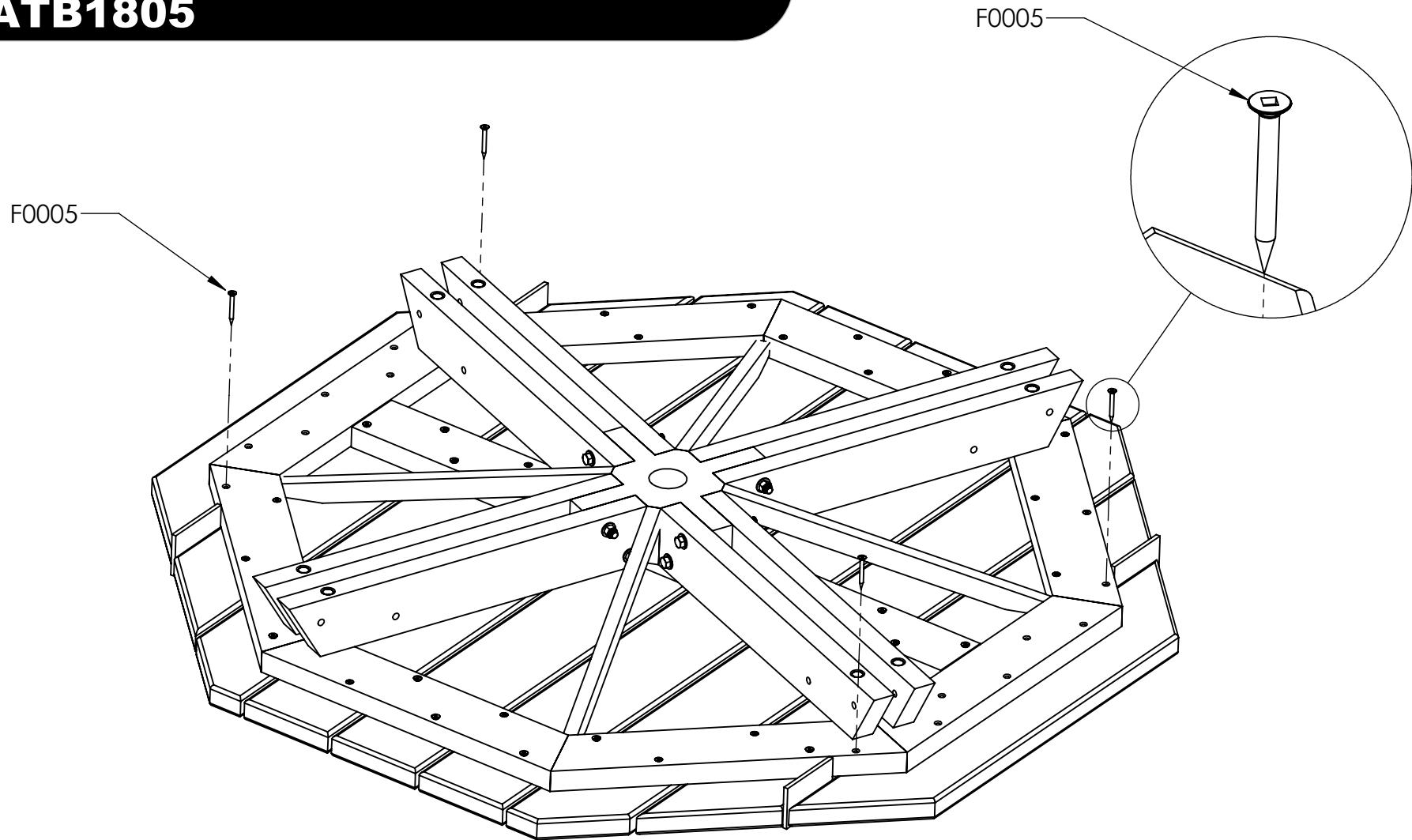
NOTE: SOME
COMPONENTS
HAVE BEEN
REMOVED FOR
CLARITY.

USE THE 1/4 INCH SPACERS (ATB-P0182)
TO ALIGN TABLE ENDS (ATB-P0175)
SO THAT THEY ARE PARALLEL TO
OTHER TABLE TOP BOARDS, AS WELL
AS THE ANGLED EDGES. SEE DETAIL A.

**ATTACH TABLE
ENDS TO TABLE
TOP ASSEMBLY**

14/18

TABLE ASSEMBLY INSTRUCTIONS ATB1805

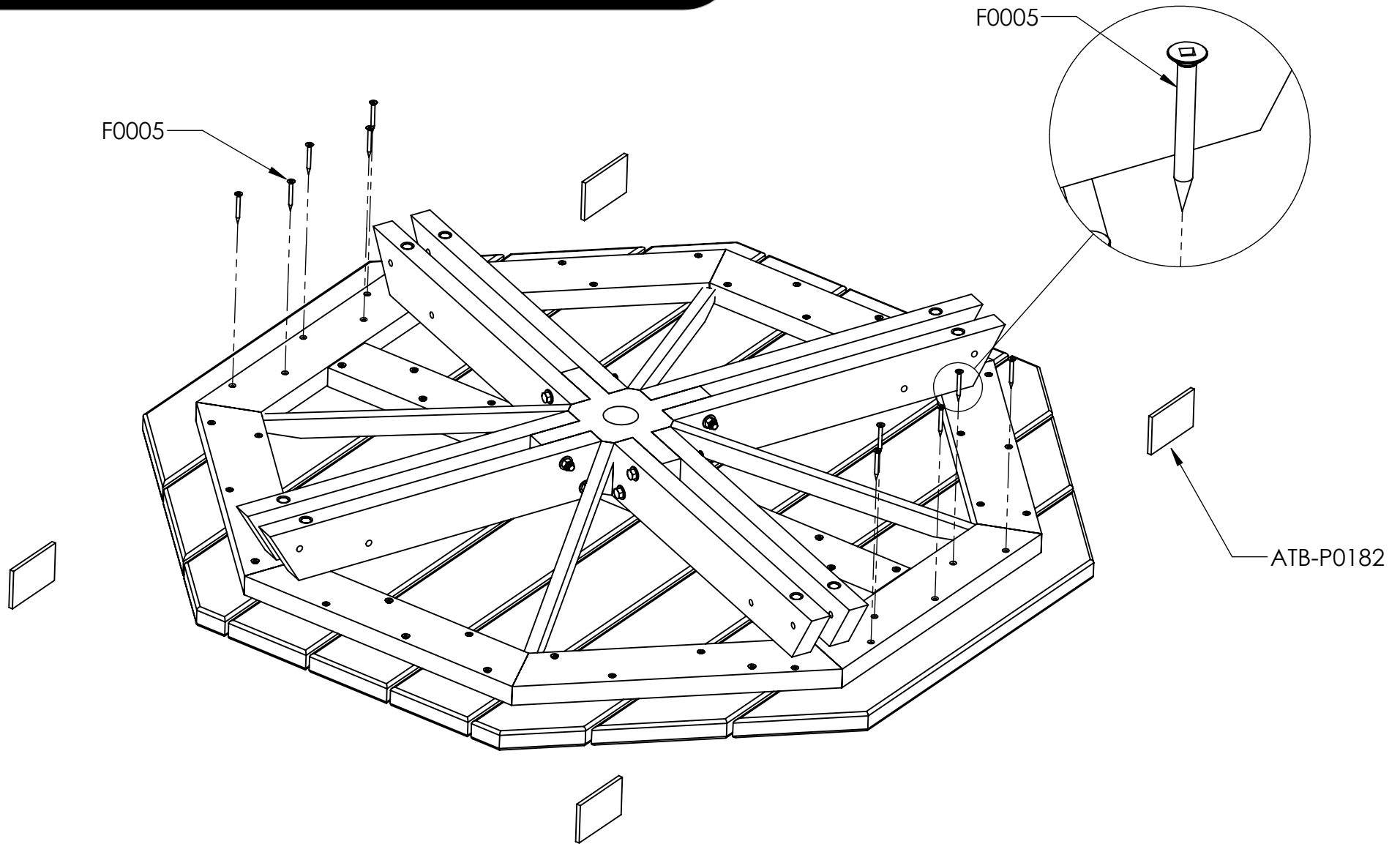


NOTE: TABLE TOP ENDS WILL HAVE PILOT HOLES DRILLED ON THE 2 OUTSIDE HOLES, BUT NOT THE 5 INSIDE HOLES. FASTEN OUTSIDE HOLES FIRST.

**ATTACH TABLE
ENDS TO TABLE
TOP ASSEMBLY**

15/18

TABLE ASSEMBLY INSTRUCTIONS ATB1805



NOTE: TABLE TOP ENDS WILL HAVE PILOT HOLES DRILLED ON THE 2 OUTSIDE HOLES, BUT NOT THE 5 INSIDE HOLES. FASTEN INSIDE HOLES SECOND.

REMOVE SPACERS AFTER ALL SCREWS ARE TIGHTENED AND DISCARD.

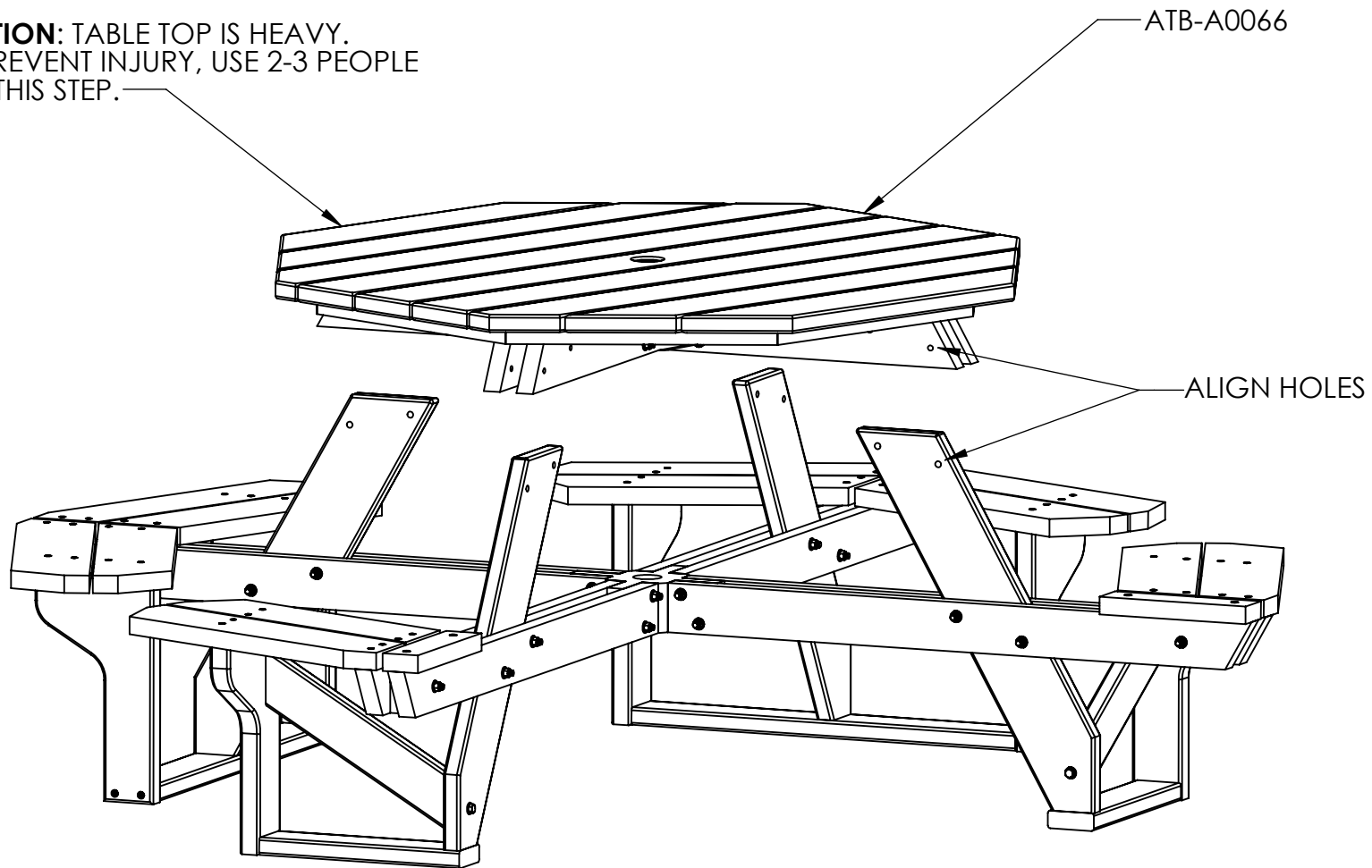
**ATTACH TABLE
ENDS TO TABLE
TOP ASSEMBLY**

16/18

TABLE ASSEMBLY INSTRUCTIONS ATB1805

PLACE TABLE TOP
ON TOP OF LOWER TABLE FRAME.

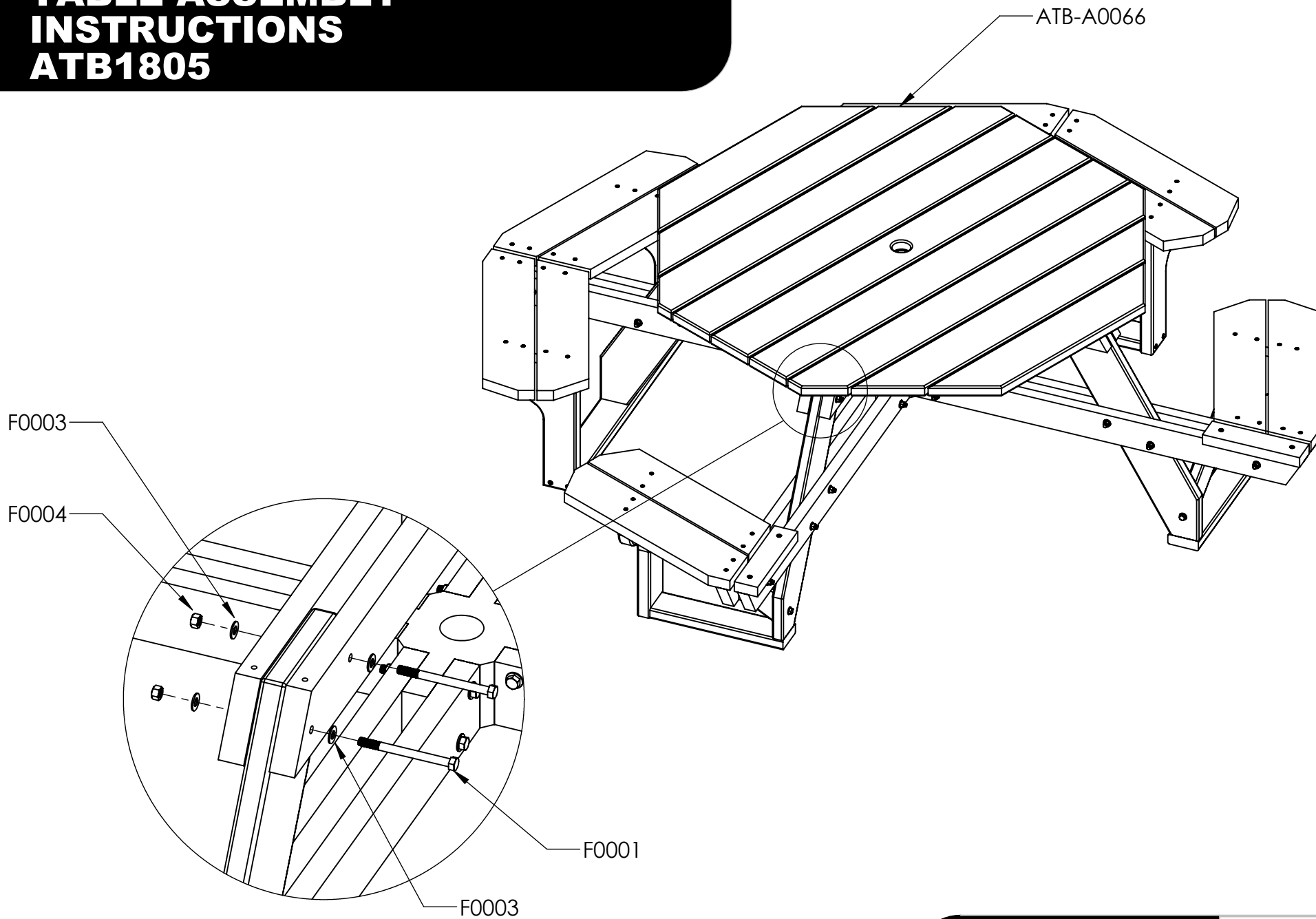
CAUTION: TABLE TOP IS HEAVY.
TO PREVENT INJURY, USE 2-3 PEOPLE
FOR THIS STEP.



**ATTACH TABLE
TOP ASSEMBLY
TO TABLE FRAME**

17/18

TABLE ASSEMBLY INSTRUCTIONS ATB1805



NOTE: SOME COMPONENTS HAVE BEEN REMOVED FOR CLARITY

**FASTEN TABLE TOP
TO TABLE FRAME**

18/18

TABLE ASSEMBLY SPECIFICATIONS ATB1805

ATB1805 REV #1
4/09/2021

ALL DIMENSIONS ARE SHOWN IN INCHES

NOTE: ALL MATERIAL IS RECYCLED
PLASTIC LUMBER UNLESS NOTED

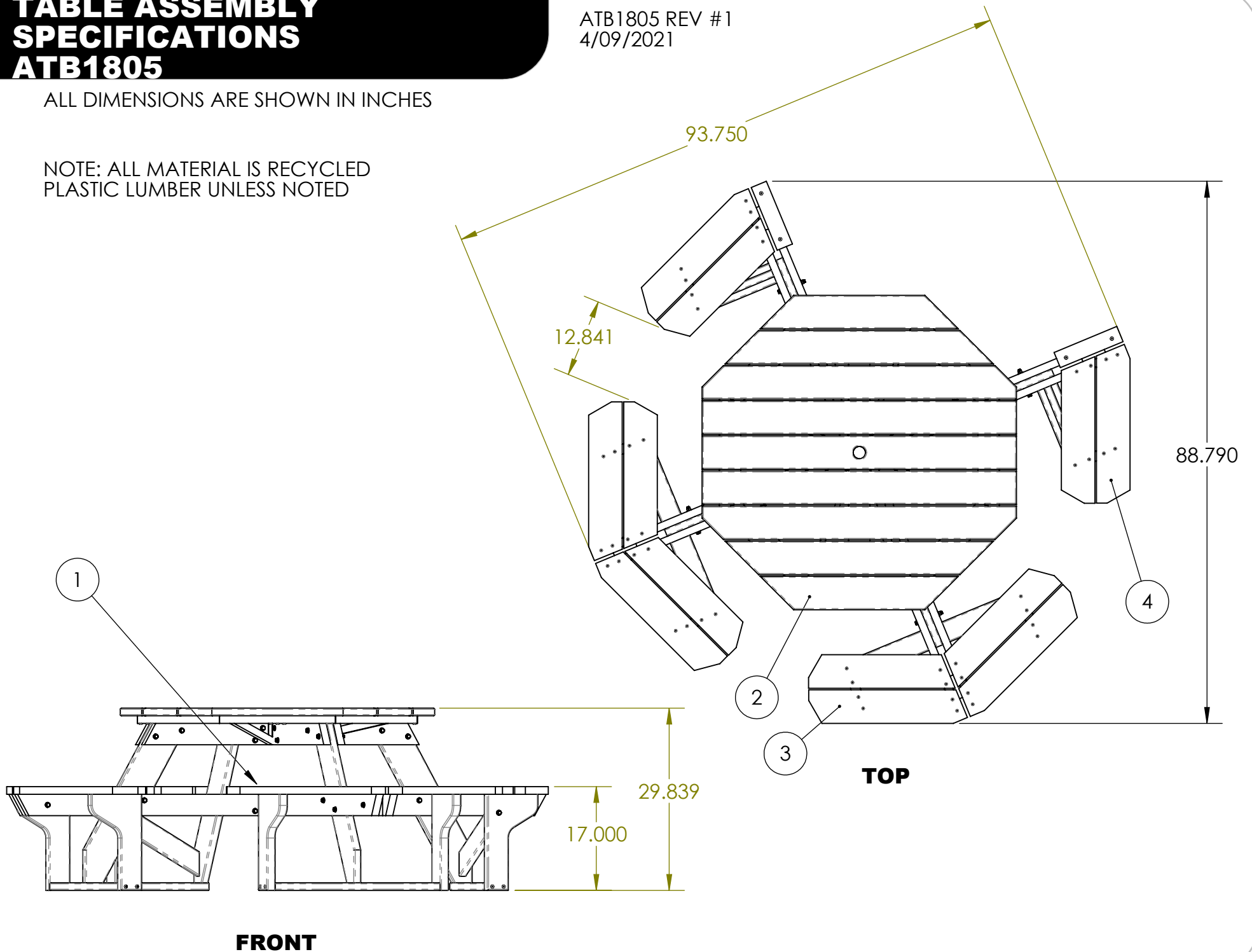
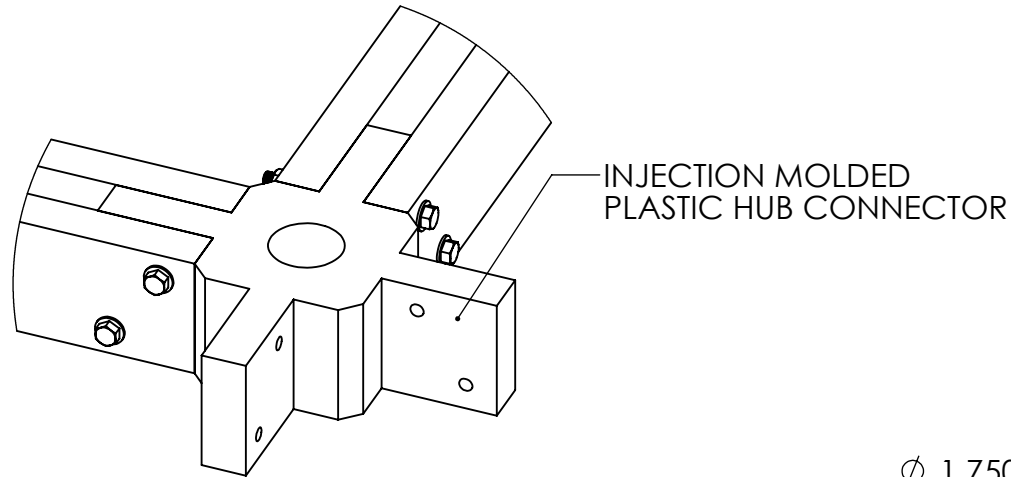


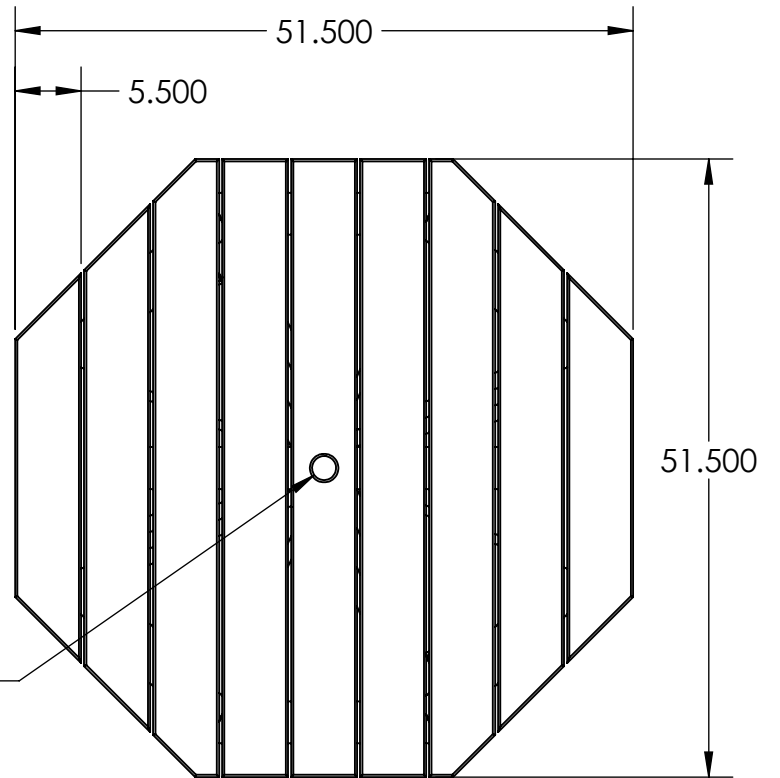
TABLE ASSEMBLY SPECIFICATIONS

ATB1805

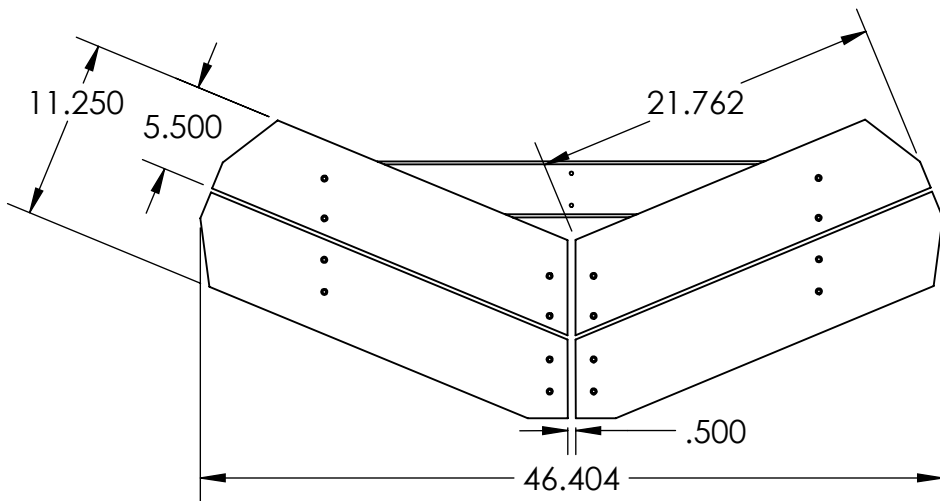
ALL DIMENSIONS ARE SHOWN IN INCHES



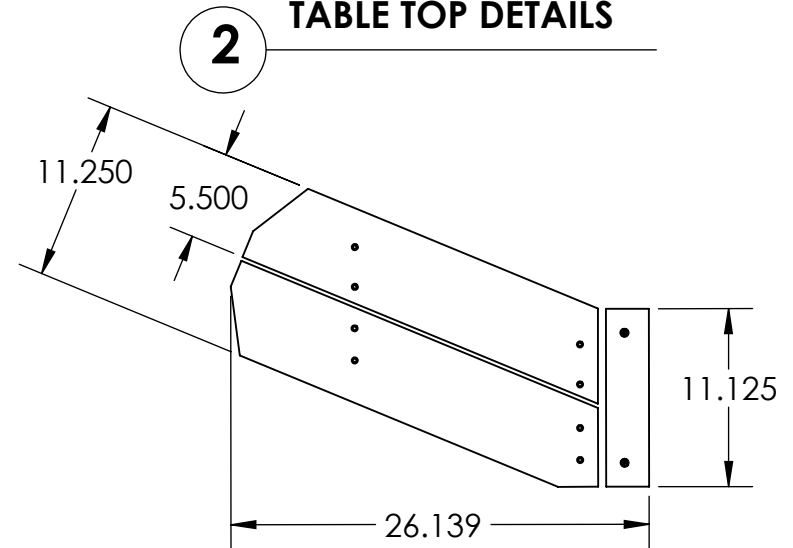
1 HUB CONNECTOR DETAILS



2 TABLE TOP DETAILS



3 SEAT DETAILS



4 ADA SEAT DETAILS