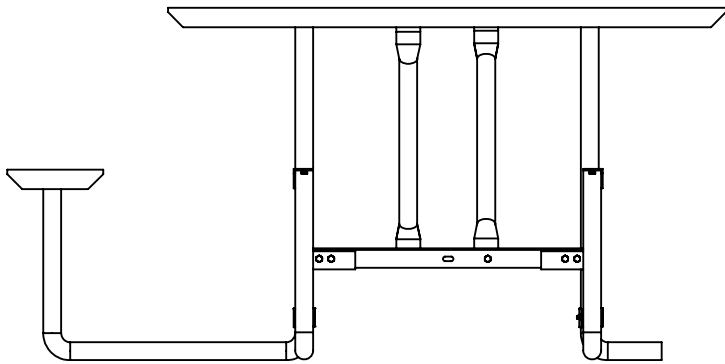
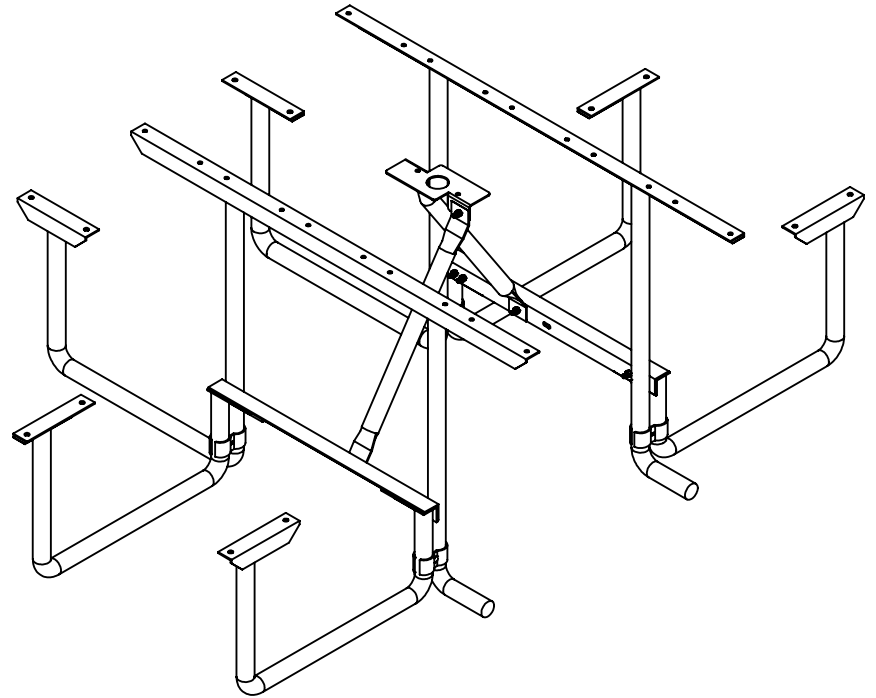




# Square ADA Table Specifications BM1225



STEEL FRAME DETAIL



STEEL FRAME DETAIL

## Plastic Boards w/ Steel Frame Square ADA Picnic Table

END SUPPORT FRAME	1.5" OD TUBING
SEAT SUPPORT ARM	1.5" OD TUBING & 2"X2" ANGLE IRON
TABLE TOP SUPPORT	2"X2" ANGLE IRON
HARDWARE	ZINC
FRAME FINISH	POWDER COAT BLACK